



Model: See Affected Top Drives
Serial #: N/A

Oct. 25, 2021

Product Bulletin # TDS-235 Rev 1

Top Drive Steel Stabbing Bell Obsolescence

Canrig is updating the design of the top drive steel stabbing bell and retainer plate. The new design will be installed on new build top drives and during overhauls. The older version will become obsolete and no longer be available.

The new design steel stabbing bells and retainer plate are not interchangeable with the older version.

When replacing an older version with a new steel stabbing bell, it must be installed with the a new retainer plate.

Refer to the Table 1 on page 2 for steel stabbing bell and retainer plate part number compatibility for replacement. Contact RIGLINE 24/7™ to order the new parts.

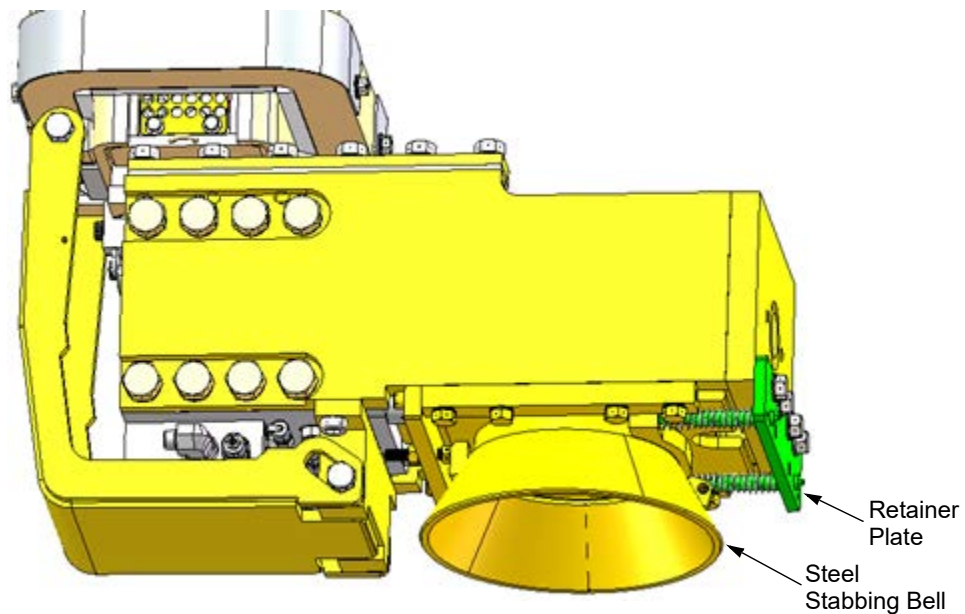


Figure 1: Back-up Wrench with Steel Stabbing Bell

Affected Top Drives

All Canrig top drive C models that utilize a steel stabbing bell for the back-up wrench.



Model: See Affected Top Drives
 Serial #: N/A

Oct. 25, 2021

New Part Number Compatibility

Refer to the tables below for a new Canrig part numbers for obsolete retainer plate, steel stabbing bell, and steel stabbing bell kit.

1. Steel Stabbing Bell/Retainer Plate

Table 1: Replacement Part Numbers (P/N) for Steel Stabbing Bell/Retainer Plate

Top Drive Model	Stabbing Bell Bore Size	Older Version (Obsolete)		Newer Version	
		Steel Stabbing Bell Old P/N	Retainer Plate Old P/N	Steel Stabbing Bell New P/N	Retainer Plate New P/N
C750 C500 C350	7-3/4 in.	DT23506	DT23506-1	*DT23506-MOD, *DT25232	*DT25231
C750 C500 C350 C275	6-1/4 in.	DT23952		DT25233	
	6 in.	DT23951		DT25234	
	5-1/4 in.	DT23950		DT25235	
	5 in.	DT23949		DT23949-MOD, DT25236	
	4-1/2 in.	DT23948		DT25237	
	4 in.	DT23947		DT25238	
	3-5/8 in.	DT23946		DT25239	
	2-7/8 in.	DT23945		DT25240	
C275	7-3/4 in.	DT24548		*DT25232	

* Indicates items in stock



Model: See Affected Top Drives

Serial #: N/A

Oct. 25, 2021

2. Steel Stabbing Bell Kit

For C-models, Canrig offers a urethane stabbing bell and a steel stabbing bell per the operator's preference. Refer to Table 2 for the replacement kit part number if operator wants to change from the urethane version to the steel version.

Table 2: Replacement Part Number (P/N) for Steel Stabbing Bell Kit

Top Drive Model	Kit – Steel Stabbing Bell	
	Old P/N	New P/N
C750, C500, C350, C275	AY24282 (OBSOLETE)	AY25174

The kit includes the components required to replace a urethane stabbing bell with a steel stabbing bell. This kit does not include the steel stabbing bell. See Table 1 on page 2 for steel stabbing bell part number.